

Human Genetics Review Sheet

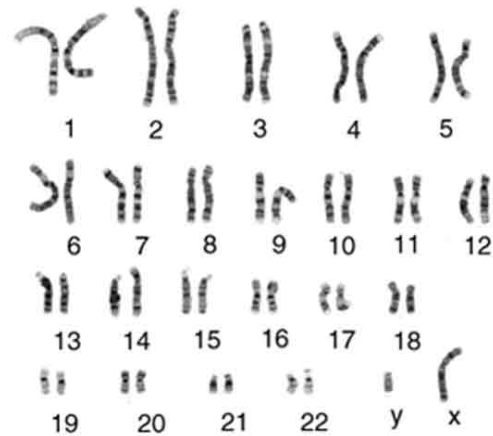
1. In humans, who determines the sex of the child?
2. What are sex chromosomes?
3. What are the sex chromosomes in human males and females?
4. Can you do problems using sex-linked disorders? Cross a colorblind male with a female who is a carrier for the trait. What are the possible phenotypes of their offspring?
5. What is an autosome?
6. What is a pedigree? Do you know the specifics, such as what does a shaded circle mean?
7. What is a karyotype? What can it show you about the individual?
8. What are sickle-cell anemia, colorblindness, and hemophilia? How are they inherited?
9. When humans have offspring, what is the probability that the offspring will be female? Male?
10. What are sex-linked genes (traits)?
11. What is nondisjunction? What types of disorders does it cause?
12. A woman who is heterozygous for hemophilia marries a normal male. What are the possible phenotypes of their children? Show the punnet square.

Use the Karyotype to the right and answer the following questions.

13. How many chromosomes does this person have?

14. Is this person a boy or a girl? Explain.

15. In terms of number and type of chromosomes, is this person normal?



Use the pedigree to the right and answer the following questions.

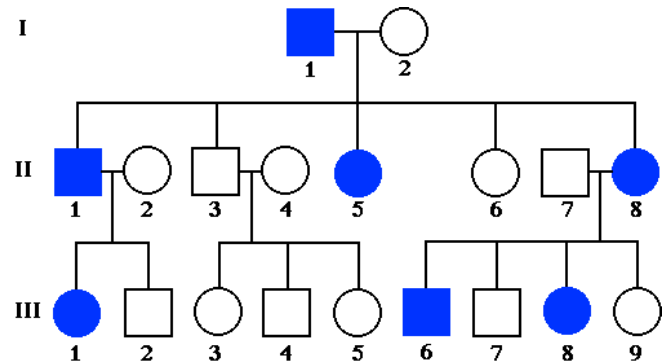
1) How many females are in this family?

2) How many males have the trait?

3) How many females have the trait?

4) Is this trait sex linked or autosomal? Explain

5) Is this trait recessive or dominant? Explain



Study your notes, worksheets and lab activities for the test.