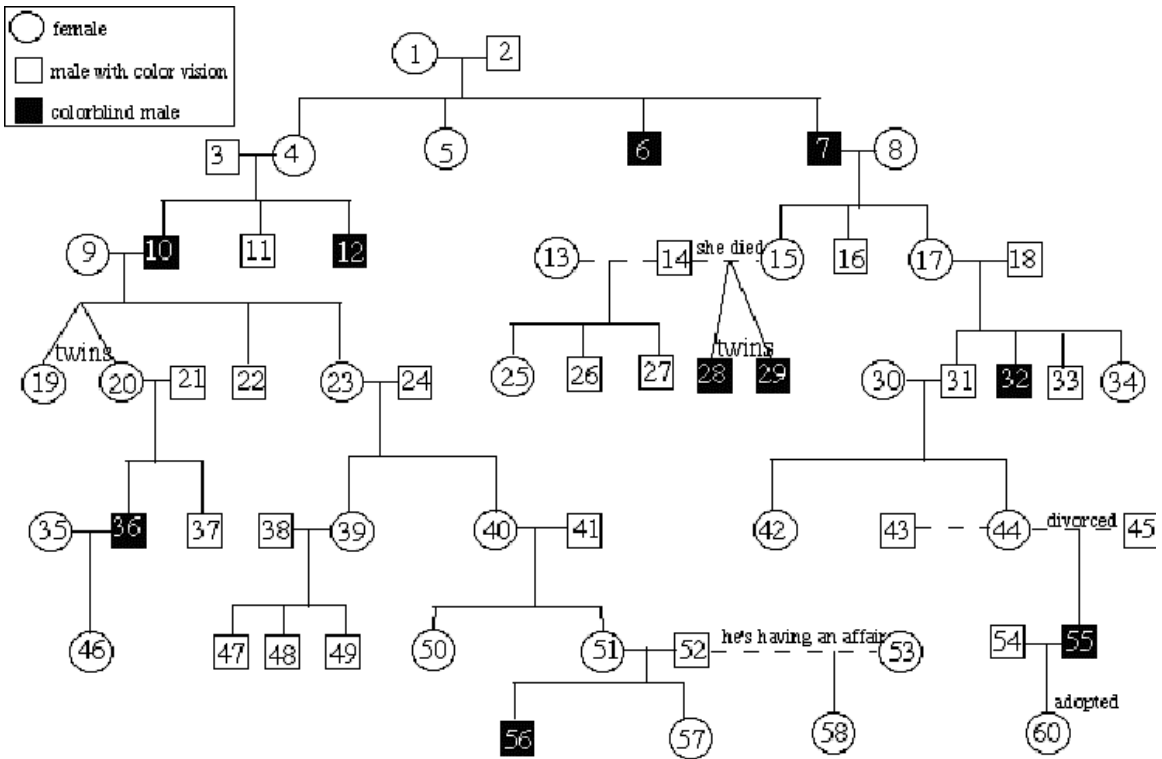


# CP Genetics Study Sheet

Define each of these genetics terms

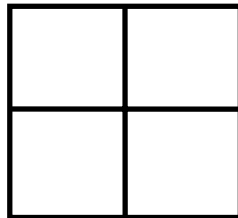
1. Genotype
2. Dominant
3. Recessive
4. Phenotype
5. Trait
6. Allele



7. What are the odds that person # 31 is a carrier?
8. What are the odds that person # 19 is a carrier?

## Genetics Problems

9. Cross Aa x aa.



10. If A = Normal skin and a = albino skin, how many of the babies would you expect to be albino if they have 8 children. (use the punnet square in # 8)

11. What do the letters on the outside of the box stand for?

12. Use the FOIL method to figure out the 4 pairs of chromosomes for the following two individuals.

❖ AaBB

❖ AaBb

13. Fill in the following punnett square for a cross between those two individuals.

A = Normal Color    a = albino    B = Black Fur    b = Brown Fur


14. Answer these questions using the punnet square above:

- ❖ What is the chance of getting the following cats:
  - AaBb
  - AABB

- ❖ How many of the cats will be albino?
15. How much information does each parent give to a kid?
  16. If a parent is Aa for a trait, which letter are they more likely to give to the kid?
  17. How many pairs of chromosomes does a human have?
  18. How many of them contain information that is the same for males and females?
  19. Which ones contain most of the information that is specific to men or women?
  20. Which combination of sex chromosomes determines that a baby will be a man?
  21. Which combination of sex chromosomes determines that a baby will be a woman?
  22. What combination of sex chromosomes resulted in the overly violent males?
  23. In co-dominance, two traits sort of mix together. Give an example of a human trait that works like this.
  24. What does it mean if a trait is Sex Linked?
  25. If a woman is colorblind and her husband is not, what are the odds her daughters will be colorblind, what are the odds her sons will be colorblind?
  26. What are the four possible blood types?
  27. Which blood type is recessive?
  28. Which blood type is the universal donor?
  29. The genes for blood type tell your blood cells what type of proteins to put on the surface of your cells.
  30. Type A+ blood can be given to a person who has type AB+ blood without a problem.